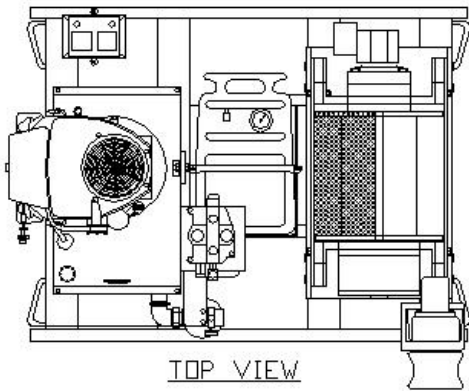


24hp SINGLE DRUM UNIT

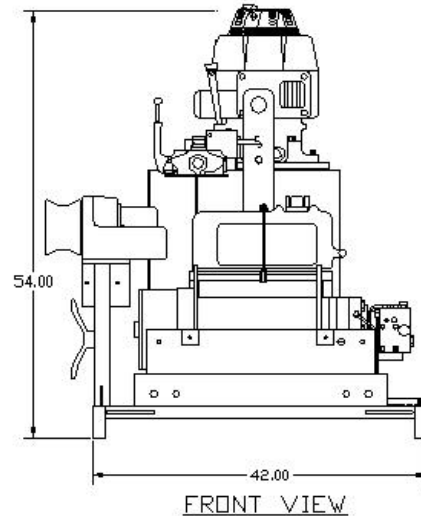
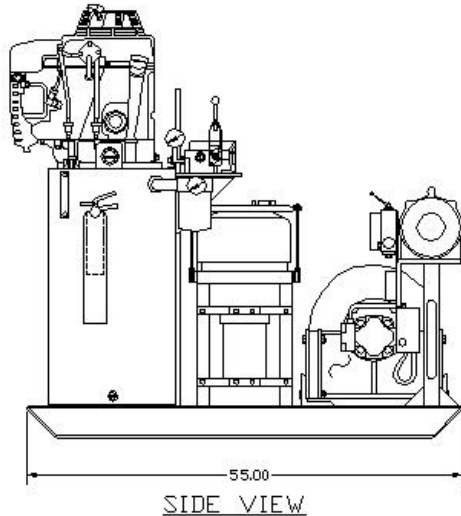


Model HHHP-24 includes the following standard features:

- 24hp Honda air cooled industrial gasoline engine, 12 volt electric start
- 12 volt battery in DOT approved battery box with cover and pad lockable hasp
- Engine hour meter
- 6 gallon poly gasoline tank with visual level indicator
- Open loop vane type hydraulic pump
- 40 gallon hydraulic oil reservoir (hydraulic oil included)
- 10 micron return filter with visual clogging indicator
- Metering type directional control valve
- (1) Planetary driven winch with failsafe brake and wire rope guard (API personnel rated winch available)
- 1/4", 3/8" or 7/16" wire rope capacity
- On-board UL rated ABC fire extinguisher
- Operator/maintenance manual stowed in weather tight enclosure
- Heavy duty steel skid construction with single point lifting eye
- Optional capstan drive with speed control and rope cleat



WEIGHT: 1800 LBS. WITH FLUID
(WITHOUT WIRE ROPE)



Tower Winch Performance Specifications

HHHP-24 with DP Winch #B8BB-S1R1F					
Layer	Cable Capacity 1/4" Wire Rope	Cable Capacity 3/8" Wire Rope	Cable Capacity 7/16" Wire Rope	Line Pull (1300 psi)	Line Speed (18.6 gpm)
1st	156 ft.	105 ft.	91 ft.	5,400 lbs.	48 fpm.
Middle	1,260 ft.	468 ft.	410 ft.	4,700 lbs.	57 fpm.
Top Legal	2,150 ft.	902 ft.	662 ft.	3,800 lbs.	69 fpm.
Full	2,640 ft.	1,060 ft.	801 ft.	NA	NA

HHHP-24 with Braden Winch #BG8A-59039-01U-1					
Layer	Cable Capacity 1/4" Wire Rope	Cable Capacity 3/8" Wire Rope	Cable Capacity 7/16" Wire Rope	Line Pull (1300 psi)	Line Speed (18.6 gpm)
1st	112 ft.	75 ft.	65 ft.	7,000 lbs.	30 fpm.
Middle	623 ft.	245 ft.	215 ft.	5,800 lbs.	40 fpm.
Top Legal	1,406 ft.	548 ft.	390 ft.	4,600 lbs.	50 fpm.
Full	1,764 ft.	782 ft.	487 ft.	NA	NA

IMPORTANT!

ANY HOIST SYSTEM WE QUOTE MAY INCLUDE ONE OR MORE WINCHES WHICH THE MANUFACTURER HAS APPROVED FOR USE IN PERSONNEL LIFTING OPERATIONS WHEN INSTALLED IN AN API OR U.S. COAST GUARD APPROVED OFFSHORE PERSONNEL LIFTING SYSTEM.

THIS DOES NOT MEAN THE HOIST SYSTEM WE HAVE QUOTED IS CERTIFIED BY ANY ORGANIZATION FOR PERSONNEL LIFTING OPERATIONS, ONLY THAT HYDRADYNE HYDRAULICS IS USING THE SAFEST WINCHES AVAILABLE FOR OUR CUSTOMERS IN THE TOWER ERECTION AND MAINTENANCE INDUSTRIES.

IF YOU HAVE ANY QUESTIONS OR COMMENTS PLEASE CONTACT US