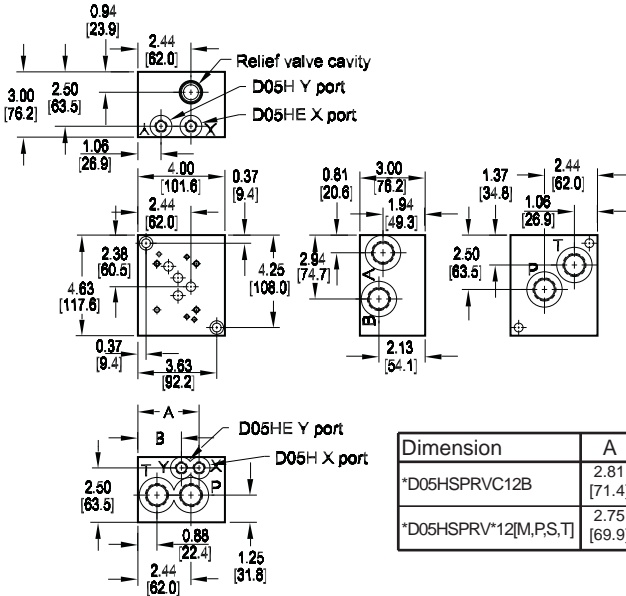


D05 High Flow Subplates with Pilot Ports and Relief Cavity

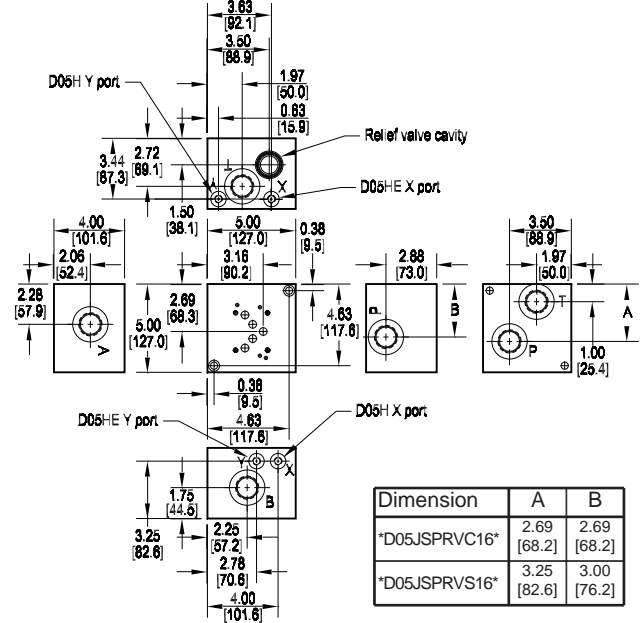
D05H High Flow Subplate with Main Relief Cavity

Valve mtg: UNC 0.25-20 x 0.75 DP or Metric M6-1.0mm ISO 6H x [19.1] DP
Subplate hardware kit is supplied. See page 121 for itemized list.



D05J Extra High Flow Subplate with Main Relief Cavity

Valve mtg: UNC 0.25-20 x 0.75 DP or Metric M6-1.0mm ISO 6H x [19.1] DP
Subplate hardware kit is supplied. See page 122 for itemized list.



Specifications, descriptions, and dimensional data are subject to correction or change without notice or incurring obligation. Download latest catalog page revisions at www.daman.com.

Ordering Information

Material	Valve Pattern	Product Type	Circuit	Relief Cavity	Port Threads
----------	---------------	--------------	---------	---------------	--------------

Material	
A	Aluminum - 6061-T6 3000 [†] psi • 20.7 MPa
D	Ductile Iron - D4512 5000 [†] psi • 34.5 MPa
N	Electroless Nickel Coated Ductile Iron - D4512 5000 [†] psi • 34.5 MPa

[†] Working pressure should be considered in accordance with ISO 4413 to determine appropriate material type.

Product Type	
SP	Subplate

Circuit	
RV	Main Relief P to T

Valve Pattern	
See Tech Information	
D05H	ISO 4401-05-05 NFFPA T3.5.1-D05 Alt A & B High flow
D05J	ISO 4401-05-05 NFFPA T3.5.1-D05 Alt A & B Extra high flow

Relief Cavity	
C	Common cavity C-10-2 on D05H (P in nose) C-16-2 on D05J (P in nose)
S	Sun Cavity T-3A on D05H (P in nose) T-16A on D05J (P in nose) See Tech Info for valves

P, T, A, B Port Threads		
D05H only		D05J only
12P	0.75-14 NPTF ANSI B1.20.3	16P 1.00-11.5 NPTF ANSI B1.20.3
12S	-12 SAE ISO 11926; SAE 1926	16S -16 SAE ISO 11926; SAE 1926
12B	0.75-14 BSPP ISO 1179; BS 2779	16B 1.00-11 BSPP ISO 1179; BS 2779
12M	M27 x 2.0 ISO 6149	16M M33 x 2.0 ISO 6149
12T	0.75-14 BSPT ISO 7; BS 21	16T 1.00-11 BSPT ISO 7; BS 21

X & Y port size (reference)	
0.25-18 NPTF ANSI B1.20.3	0.25-19 BSPP ISO 1179; BS 2779
-4 SAE ISO 11926; SAE 1926	M10 x 1.0 ISO 6149
0.25-18 NPTF ANSI B1.20.3	0.25-19 BSPT ISO 7; BS 21