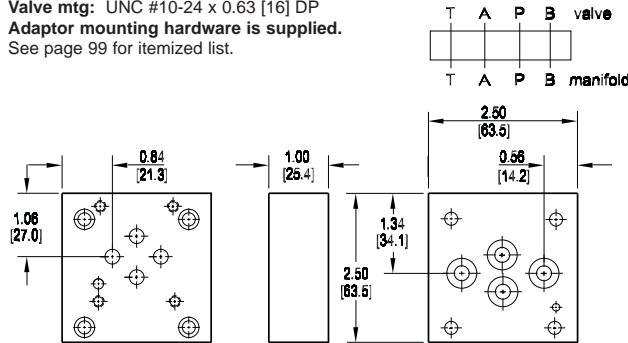


D03 to “Obsolete Valve” Adaptors

Adapt D03 valve to Racine 01Q manifold

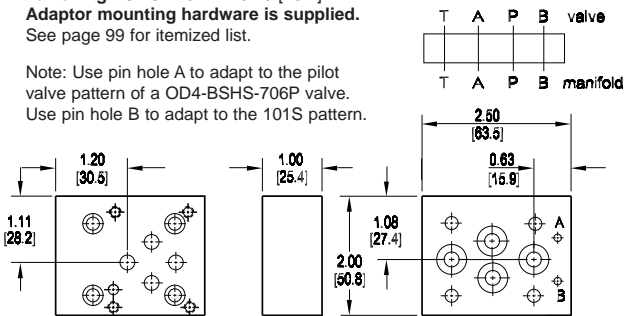
Valve mtg: UNC #10-24 x 0.63 [16] DP
 Adaptor mounting hardware is supplied.
 See page 99 for itemized list.



Adapt D03 valve to Racine 01S manifold

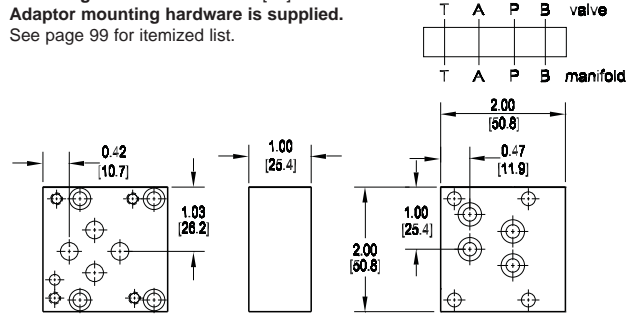
Valve mtg: UNC #10-24 x 0.75 [19.1] DP
 Adaptor mounting hardware is supplied.
 See page 99 for itemized list.

Note: Use pin hole A to adapt to the pilot valve pattern of a OD4-BSHS-706P valve.
 Use pin hole B to adapt to the 101S pattern.



Adapt D03 valve to Parker D1B manifold

Valve mtg: UNC #10-24 x 0.63 [16] DP
 Adaptor mounting hardware is supplied.
 See page 99 for itemized list.



Specifications, descriptions, and dimensional data are subject to correction or change without notice or incurring obligation.
 Download latest catalog page revisions at www.daman.com.

Ordering Information

Material	Valve Pattern	Manifold Pattern	Product Type	Port Orientation
----------	---------------	------------------	--------------	------------------

Material	
A	Aluminum - 6061-T6 3000 [†] psi • 20.7 MPa
D	Ductile Iron - D4512 5000 [†] psi • 34.5 MPa
N	Electroless Nickel Coated Ductile Iron - D4512 5000 [†] psi • 34.5 MPa

[†] Working pressure should be considered in accordance with ISO 4413 to determine appropriate material type.

Manifold Pattern	
See Tech Information	
01Q	Racine FD4-D*HS-*01Q*
01S	Racine OD4-D*HS-101S
D1B	Parker D1BW-****

Port Orientation	
AB	A _V common to A _M B _V common to B _M

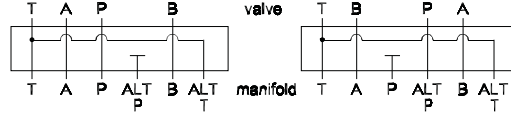
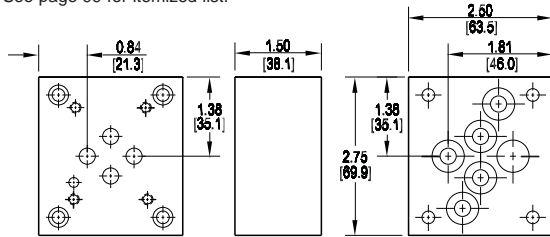
Valve Pattern	
D03	ISO 4401-03-02 NFFPA T3.5.1-D03 See Tech Information

Product Type	
VA	Valve Adaptor

D03 to "Obsolete Valve" Adaptors

Adapt D03 valve to Denison D1D04 manifold

Valve mtg: UNC #10-24 x 0.50 [12.7] DP
 Adaptor mounting hardware is supplied.
 See page 99 for itemized list.

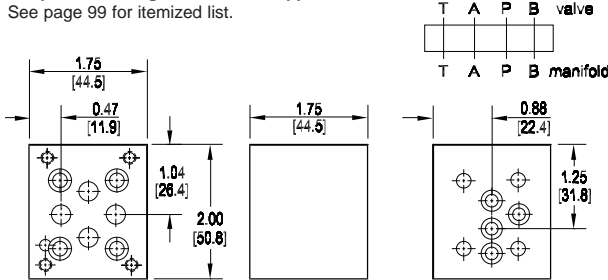


Schematic of typical installation. Replaces D1D04 valves that utilized the standard P port.

Schematic of optional installation. Replaces D1D04 pilot valves that utilized the alternate P port. The adaptor is rotated 180° in this case, which swaps A & B orientation.

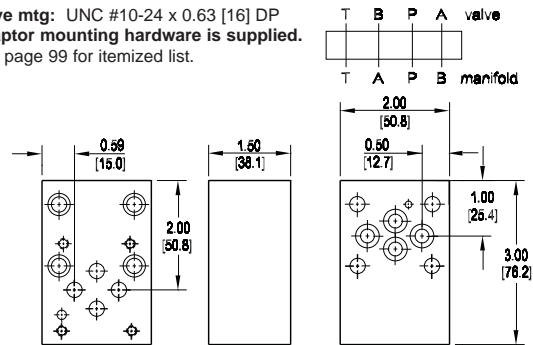
Adapt D03 valve to Vickers D1L manifold

Valve mtg: UNC #10-24 x 0.63 [16] DP
 Adaptor mounting hardware is supplied.
 See page 99 for itemized list.



Adapt D03 valve to Vickers DG4M4 manifold

Valve mtg: UNC #10-24 x 0.63 [16] DP
 Adaptor mounting hardware is supplied.
 See page 99 for itemized list.



Specifications, descriptions, and dimensional data are subject to correction or change without notice or incurring obligation. Download latest catalog page revisions at www.daman.com.

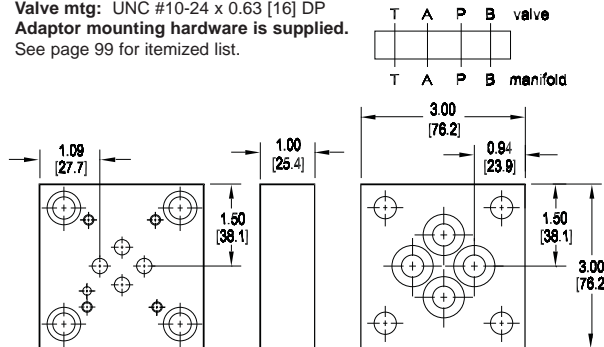
Ordering Information

Material	Valve Pattern	Manifold Pattern	Product Type	Port Orientation																																		
<table border="1"> <thead> <tr> <th colspan="2">Material</th> </tr> </thead> <tbody> <tr> <td>A</td> <td>Aluminum - 6061-T6 3000[†] psi • 20.7 MPa</td> </tr> <tr> <td>D</td> <td>Ductile Iron - D4512 5000[†] psi • 34.5 MPa</td> </tr> <tr> <td>N</td> <td>Electroless Nickel Coated Ductile Iron - D4512 5000[†] psi • 34.5 MPa</td> </tr> <tr> <td colspan="2">[†] Working pressure should be considered in accordance with ISO 4413 to determine appropriate material type.</td> </tr> </tbody> </table>	Material		A	Aluminum - 6061-T6 3000 [†] psi • 20.7 MPa	D	Ductile Iron - D4512 5000 [†] psi • 34.5 MPa	N	Electroless Nickel Coated Ductile Iron - D4512 5000 [†] psi • 34.5 MPa	[†] Working pressure should be considered in accordance with ISO 4413 to determine appropriate material type.		<table border="1"> <thead> <tr> <th colspan="2">Valve Pattern</th> </tr> </thead> <tbody> <tr> <td>D03</td> <td>ISO 4401-03-02 NFPA T3.5.1-D03 See Tech Information</td> </tr> </tbody> </table>	Valve Pattern		D03	ISO 4401-03-02 NFPA T3.5.1-D03 See Tech Information	<table border="1"> <thead> <tr> <th colspan="2">Manifold Pattern</th> </tr> <tr> <td colspan="2">See Tech Information</td> </tr> </thead> <tbody> <tr> <td>D1D04</td> <td>Denison D1D04-3*...</td> </tr> <tr> <td>D1L</td> <td>Vickers D1L...</td> </tr> <tr> <td>DG4M4</td> <td>Vickers DG4M4... Tokimec DG4M4...</td> </tr> </tbody> </table>	Manifold Pattern		See Tech Information		D1D04	Denison D1D04-3*...	D1L	Vickers D1L...	DG4M4	Vickers DG4M4... Tokimec DG4M4...	<table border="1"> <thead> <tr> <th colspan="2">Product Type</th> </tr> </thead> <tbody> <tr> <td>VA</td> <td>Valve Adaptor</td> </tr> </tbody> </table>	Product Type		VA	Valve Adaptor	<table border="1"> <thead> <tr> <th colspan="2">Port Orientation</th> </tr> </thead> <tbody> <tr> <td>AB</td> <td>A_v common to A_m B_v common to B_m (D1D04 and D1L)</td> </tr> <tr> <td>BA</td> <td>B_v common to A_m A_v common to B_m (DG4M4 only)</td> </tr> </tbody> </table>	Port Orientation		AB	A _v common to A _m B _v common to B _m (D1D04 and D1L)	BA	B _v common to A _m A _v common to B _m (DG4M4 only)
Material																																						
A	Aluminum - 6061-T6 3000 [†] psi • 20.7 MPa																																					
D	Ductile Iron - D4512 5000 [†] psi • 34.5 MPa																																					
N	Electroless Nickel Coated Ductile Iron - D4512 5000 [†] psi • 34.5 MPa																																					
[†] Working pressure should be considered in accordance with ISO 4413 to determine appropriate material type.																																						
Valve Pattern																																						
D03	ISO 4401-03-02 NFPA T3.5.1-D03 See Tech Information																																					
Manifold Pattern																																						
See Tech Information																																						
D1D04	Denison D1D04-3*...																																					
D1L	Vickers D1L...																																					
DG4M4	Vickers DG4M4... Tokimec DG4M4...																																					
Product Type																																						
VA	Valve Adaptor																																					
Port Orientation																																						
AB	A _v common to A _m B _v common to B _m (D1D04 and D1L)																																					
BA	B _v common to A _m A _v common to B _m (DG4M4 only)																																					

D03 to “Obsolete Valve” Adaptors

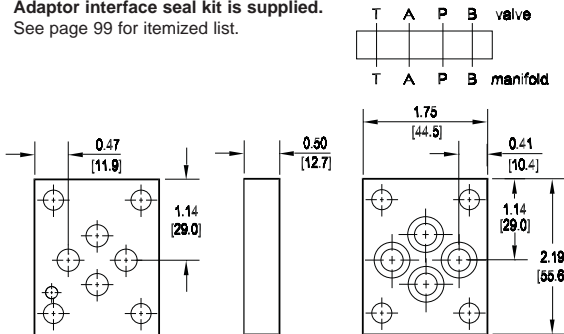
Adapt D03 valve to Republic R8143 manifold

Valve mtg: UNC #10-24 x 0.63 [16] DP
 Adaptor mounting hardware is supplied.
 See page 99 for itemized list.



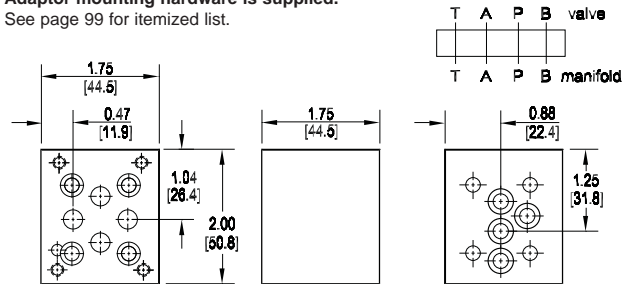
Adapt D03 valve to Rivett RVT65 manifold

Adaptor interface seal kit is supplied.
 See page 99 for itemized list.



Adapt D03 valve to Rexroth WE5 manifold

Valve mtg: UNC #10-24 x 0.63 [16] DP
 Adaptor mounting hardware is supplied.
 See page 99 for itemized list.



Specifications, descriptions, and dimensional data are subject to correction or change without notice or incurring obligation. Download latest catalog page revisions at www.daman.com.

Ordering Information

Material	Valve Pattern	Manifold Pattern	Product Type	Port Orientation																																
<table border="1"> <thead> <tr> <th colspan="2">Material</th> </tr> </thead> <tbody> <tr> <td>A</td> <td>Aluminum - 6061-T6 3000[†] psi • 20.7 MPa</td> </tr> <tr> <td>D</td> <td>Ductile Iron - D4512 5000[†] psi • 34.5 MPa</td> </tr> <tr> <td>N</td> <td>Electroless Nickel Coated Ductile Iron - D4512 5000[†] psi • 34.5 MPa</td> </tr> <tr> <td colspan="2">[†] Working pressure should be considered in accordance with ISO 4413 to determine appropriate material type.</td> </tr> </tbody> </table>	Material		A	Aluminum - 6061-T6 3000 [†] psi • 20.7 MPa	D	Ductile Iron - D4512 5000 [†] psi • 34.5 MPa	N	Electroless Nickel Coated Ductile Iron - D4512 5000 [†] psi • 34.5 MPa	[†] Working pressure should be considered in accordance with ISO 4413 to determine appropriate material type.		<table border="1"> <thead> <tr> <th colspan="2">Valve Pattern</th> </tr> </thead> <tbody> <tr> <td>D03</td> <td>ISO 4401-03-02 NFFPA T3.5.1-D03 See Tech Information</td> </tr> </tbody> </table>	Valve Pattern		D03	ISO 4401-03-02 NFFPA T3.5.1-D03 See Tech Information	<table border="1"> <thead> <tr> <th colspan="2">Manifold Pattern</th> </tr> <tr> <td colspan="2">See Tech Information</td> </tr> </thead> <tbody> <tr> <td>R8143</td> <td>Republic R-8143...</td> </tr> <tr> <td>RVT65</td> <td>Rivett 65** -01-70 Parker D1RW</td> </tr> <tr> <td>WE5</td> <td>Rexroth WE5...</td> </tr> </tbody> </table>	Manifold Pattern		See Tech Information		R8143	Republic R-8143...	RVT65	Rivett 65** -01-70 Parker D1RW	WE5	Rexroth WE5...	<table border="1"> <thead> <tr> <th colspan="2">Product Type</th> </tr> </thead> <tbody> <tr> <td>VA</td> <td>Valve Adaptor</td> </tr> </tbody> </table>	Product Type		VA	Valve Adaptor	<table border="1"> <thead> <tr> <th colspan="2">Port Orientation</th> </tr> </thead> <tbody> <tr> <td>AB</td> <td>A_V common to A_M B_V common to B_M</td> </tr> </tbody> </table>	Port Orientation		AB	A _V common to A _M B _V common to B _M
Material																																				
A	Aluminum - 6061-T6 3000 [†] psi • 20.7 MPa																																			
D	Ductile Iron - D4512 5000 [†] psi • 34.5 MPa																																			
N	Electroless Nickel Coated Ductile Iron - D4512 5000 [†] psi • 34.5 MPa																																			
[†] Working pressure should be considered in accordance with ISO 4413 to determine appropriate material type.																																				
Valve Pattern																																				
D03	ISO 4401-03-02 NFFPA T3.5.1-D03 See Tech Information																																			
Manifold Pattern																																				
See Tech Information																																				
R8143	Republic R-8143...																																			
RVT65	Rivett 65** -01-70 Parker D1RW																																			
WE5	Rexroth WE5...																																			
Product Type																																				
VA	Valve Adaptor																																			
Port Orientation																																				
AB	A _V common to A _M B _V common to B _M																																			